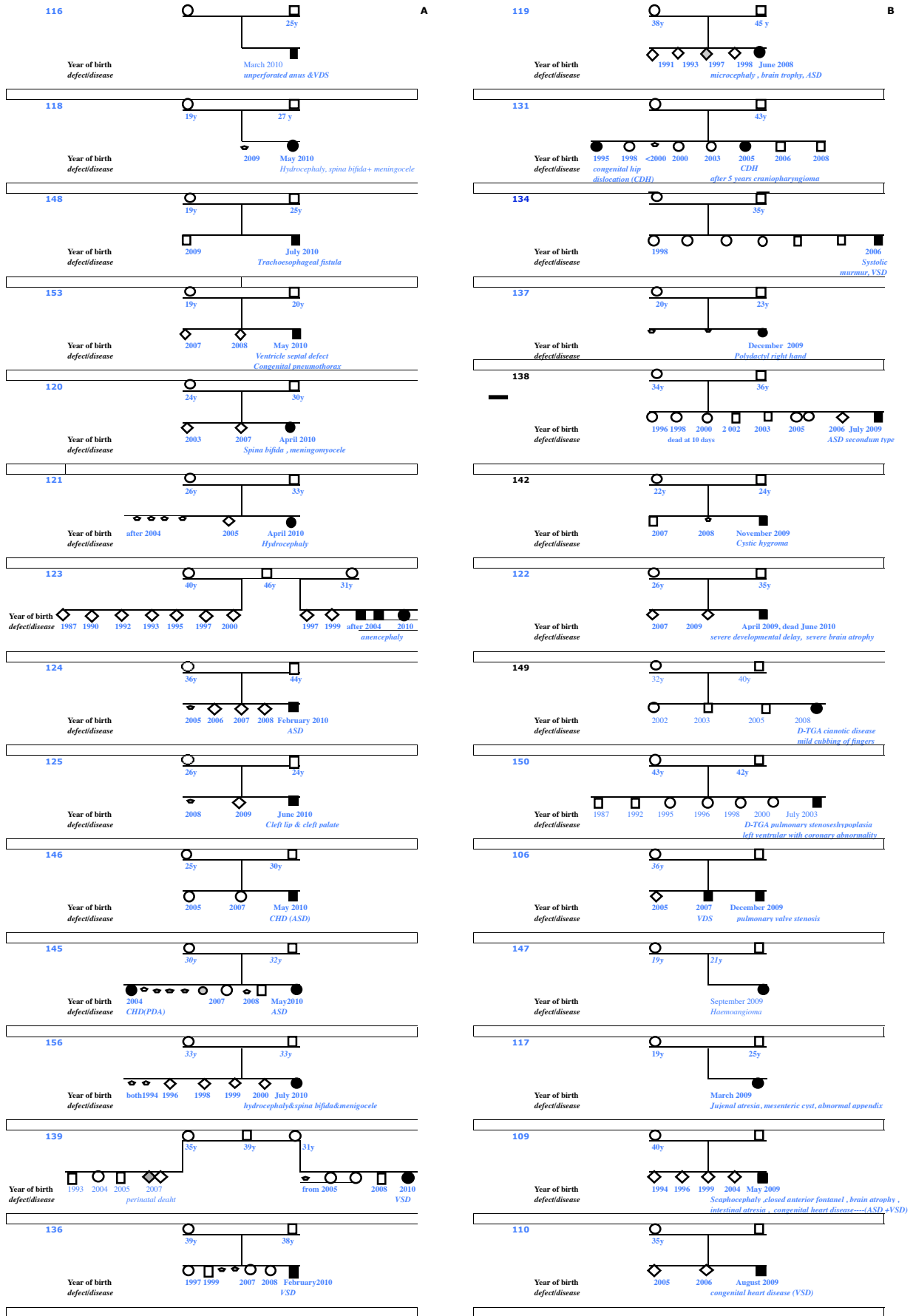
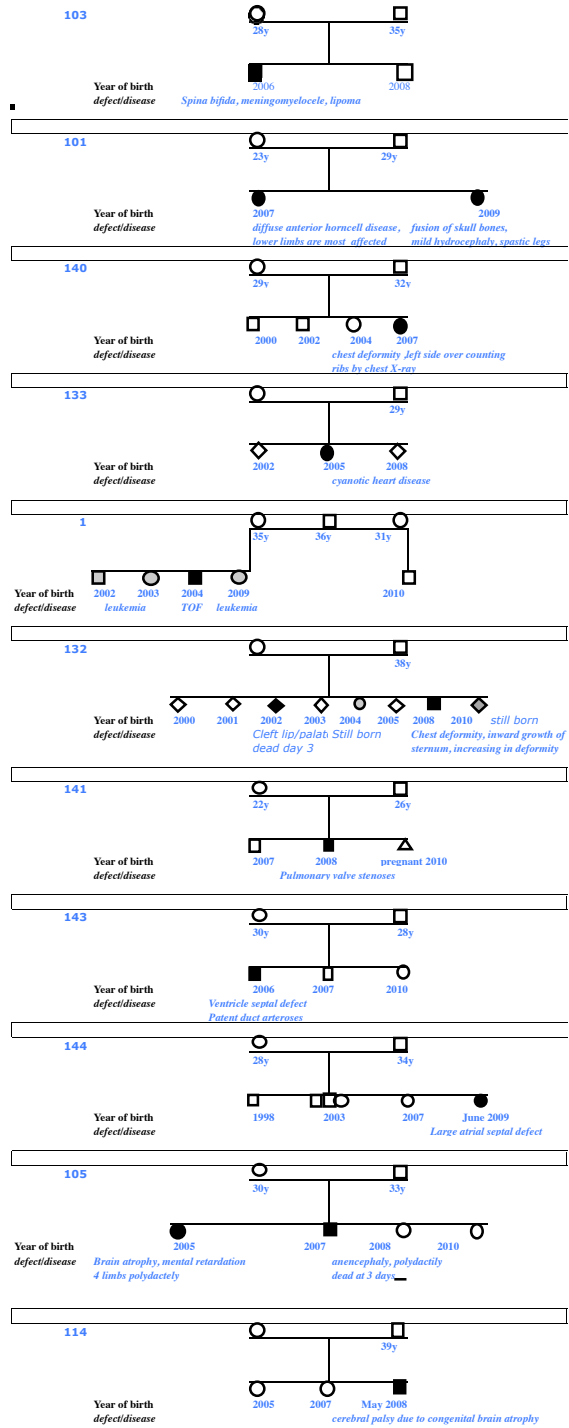
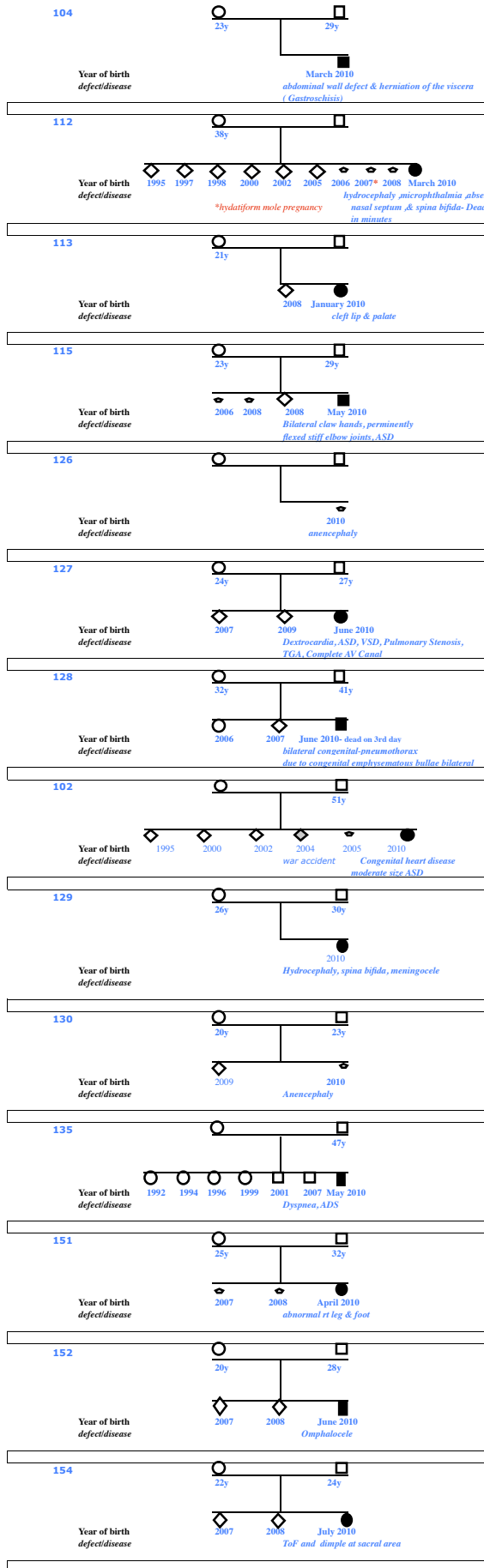


TABLE I S1- Reproductive history of families with birth defects





empty healthy	male	
filled in black- birth defect	female	
filled in grey dead	unknown sex	
	twins	
	still born	
	miscarriage	

Table I S1
Reproductive history of families with birth defects:
A) Column of birth defect in new born registered between March and Sempetmber 2010.
B) Column of birth defect patients returned for controls at the same time, children were born before 2010.

